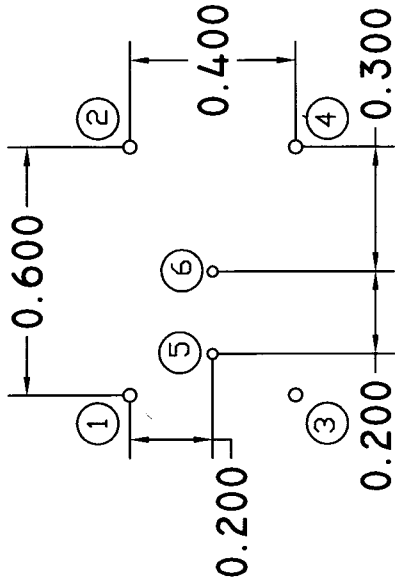
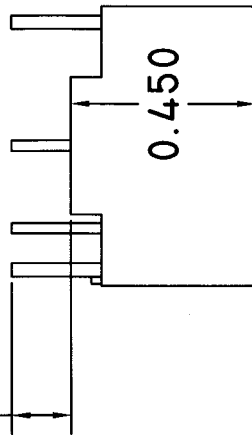


0.145 ± 0.020



TERMINALS:
60/40 Sn/Pb PLATED

1	N/C	0.032 Dia.
2	N/C	0.032 Dia.
3	N/C	0.032 Dia.
4	N/C	0.032 Dia.
5	-	0.026 Dia.
6	+	0.026 Dia.

to make:	make from:
THQM2010103	THQA2010103
THQM2016502	THQA2016502
THQM2025382	THQA2025382
THQM2030302	THQA2030302
THQM2035252	THQA2035252
THQM2050152	THQA2050152
THQM2060871	THQA2060871
THQM2075561	THQA2075561
THQM2100361	THQA2100361
THQM2125211	THQA2125211

**CONTROLLED
COPY
IF IN RED**

THQM2 OUTLINE DRAWING

DATE: 4/28/10 REV.: F

BY: T. MURPHY

APPR:

ALL DIMENSIONS IN INCHES

UNLESS NOTED: X.XXX +/- 0.015

Evans
Capacitor
Company
Proprietary and Confidential